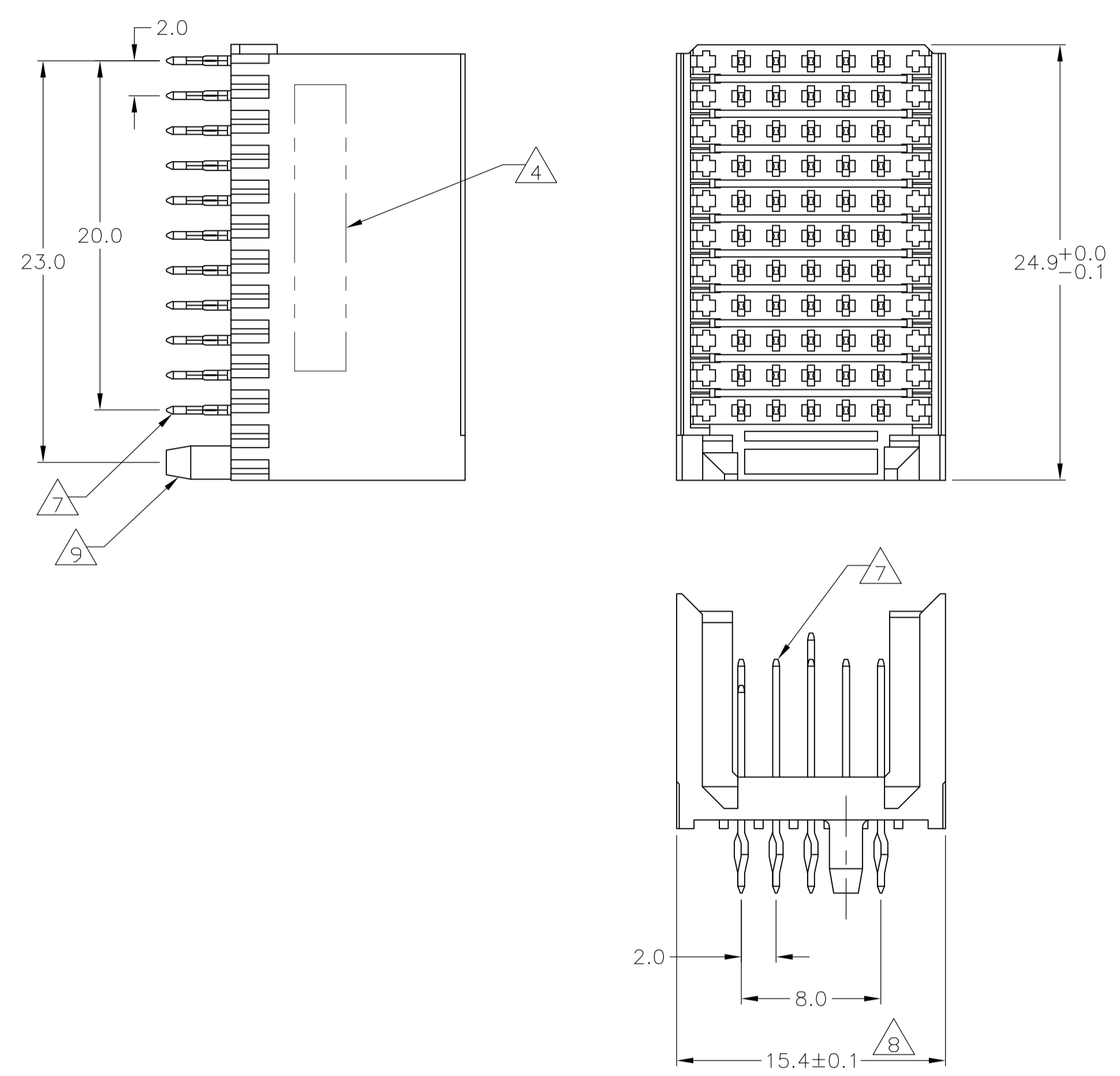


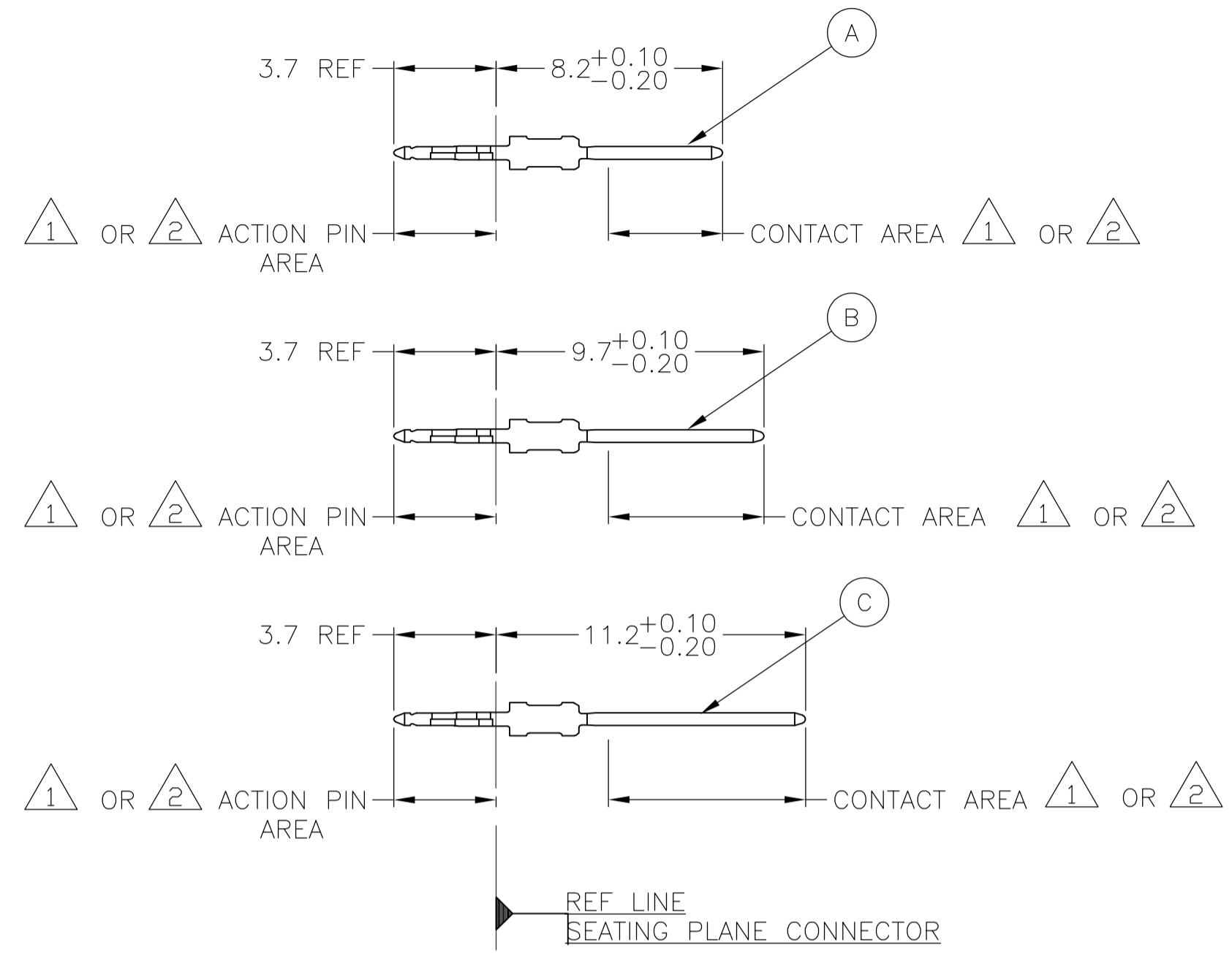
LOC		DIST		REVISIONS			
P	LTR	REV	PER	EC	DATE	DMN	APVD
		O	REV	PER	EC	0512-0091-05	24FEB05 BC GS
		A	ECR	-10-019054		15SEP10	DP MQW

CONNECTOR ASSEMBLY EXAMPLARY LOADED

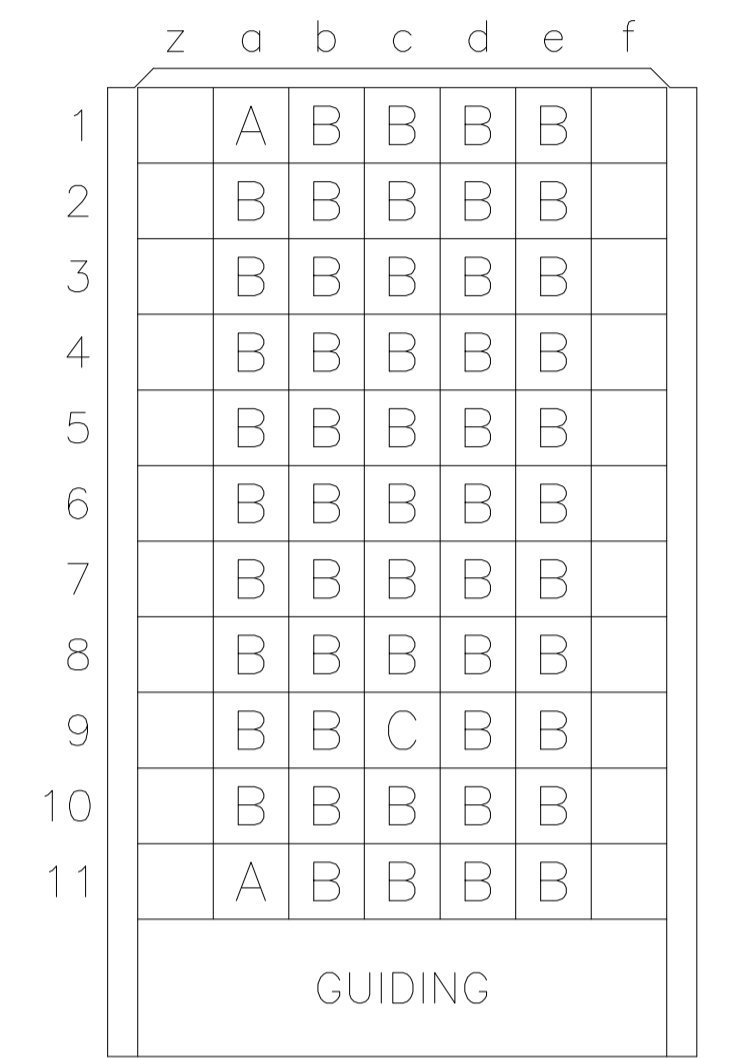


CONTACT DIMENSIONS

SCALE 5:1

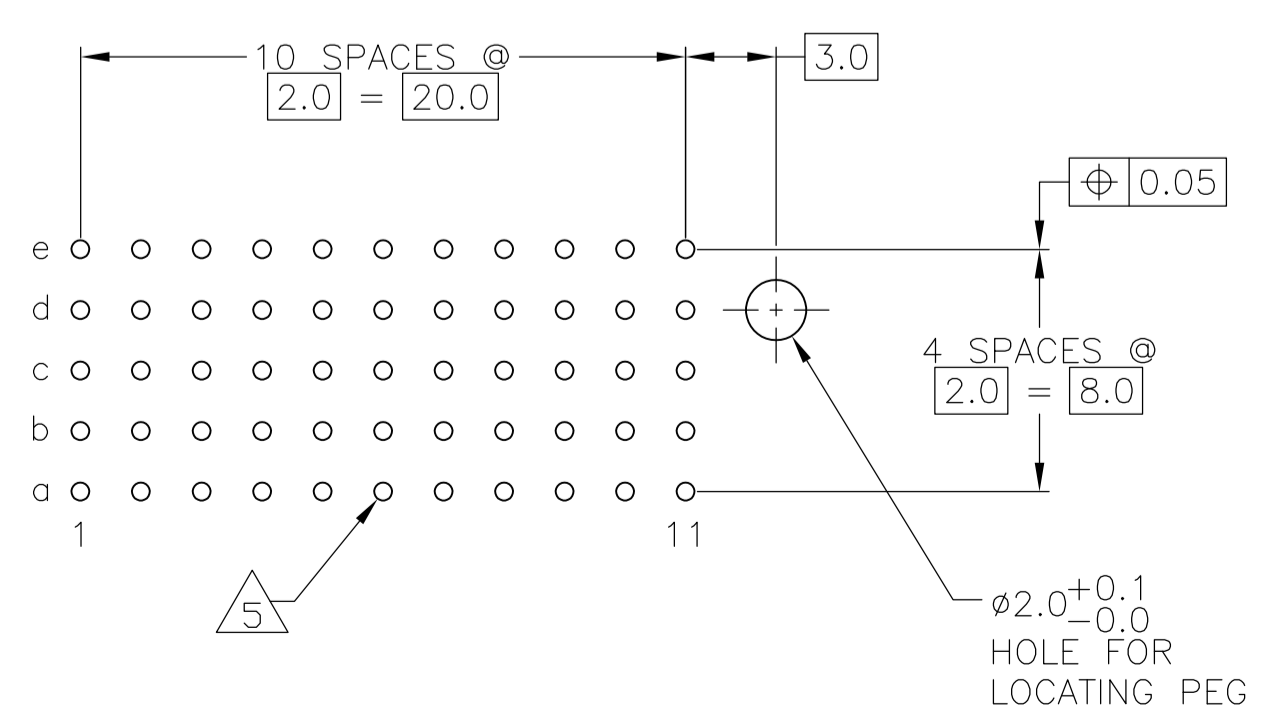


CONTACT LAYOUT



- 2 CONTACT FINISH:
CONTACT AREA: 0.8µm MIN GOLD PER ASTM B488 OVER 1.3µm MIN NICKEL PER SAE-AMS-QQ-N-290.
ACTION PIN: 0.5µm MIN TIN PER ASTM B545 OVER 1.3µm MIN NICKEL PER SAE-AMS-QQ-N-290.
- 3 MATERIAL:
CONTACT: PHOSPHOR BRONZE.
HOUSING: GLASS-FILLED POLYESTER.
- 4 CONNECTOR MARKED WITH PART NUMBER AND DATE CODE. ADDITIONAL CHARACTERS OR MARKINGS, AS WELL AS THE LOCATION OF THE MARKINGS, MAY BE ADDED FOR TRACEABILITY BASED UPON MANUFACTURERS DISCRETION.
- 5 PLATED-THROUGH HOLES AT 2x2mm SQUARE GRID PATTERN DEFINED BY CONTACT LAYOUT.
- 6 FOR ACTUAL PIN LOADING SEE "CONTACT LAYOUT".
- 7 FOR ACTUAL PIN DIMENSIONS SEE "CONTACT DIMENSIONS".
- 8 TO BE MEASURED AT BOTTOM OF SHROUD.
- 9 LOCATION PEG.

RECOMMENDED PCB-HOLE LAYOUT COMPONENT SIDE SHOWN



PLATED THRU HOLES PARAMETERS

REFERENCE APPLICATION SPECIFICATION

2	6645262-1
FINISH	PART NUMBER

THIS DRAWING IS A CONTROLLED DOCUMENT.		DIN B CARDO 24FEB05	Tyco Electronics Corporation Harrisburg, Pa 17105-3608	
DIMENSIONS: mm		CIK G SKIPPER 24FEB05	NAME MALE ASSEMBLY, Z-PACK 2mm HM, TYPE C	
TOLERANCES UNLESS OTHERWISE SPECIFIED:		APVD G SKIPPER 24FEB05	PRODUCT SPEC 108-19082	
0-PLG ±		APPLICATION SPEC 114-19029		
1-PLG ±0.2		SIZE CAGE CODE DRAWING NO		
2-PLG ±0.02		A1 00779 C=6645262		
3-PLG ±0.005		RESTRICTED TO		
4-PLG ±		WEIGHT		
ANGLES ±0.30°		CUSTOMER DRAWING		
3		SCALE 4:1		SHEET 1 OF 1 REV A