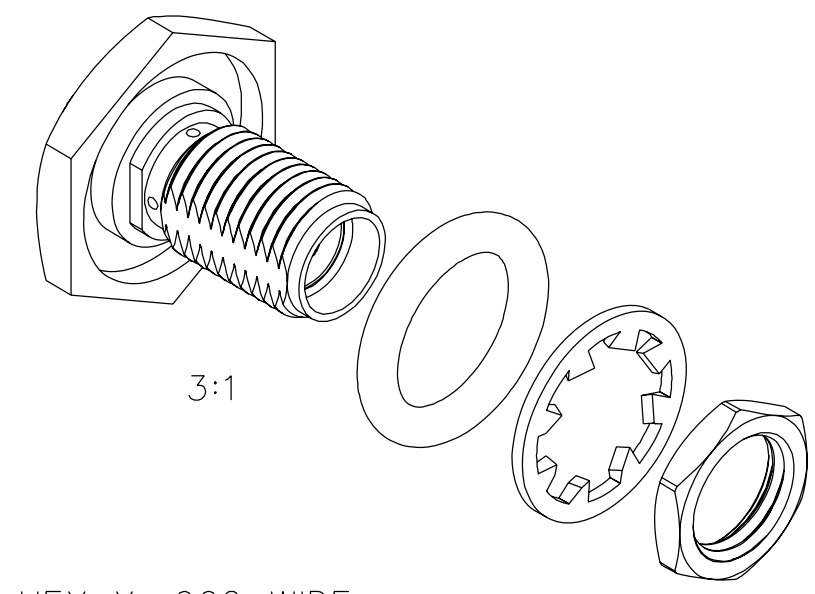


DRAWING NO.  
C - 141-0594-421/430

0 REVISIONS

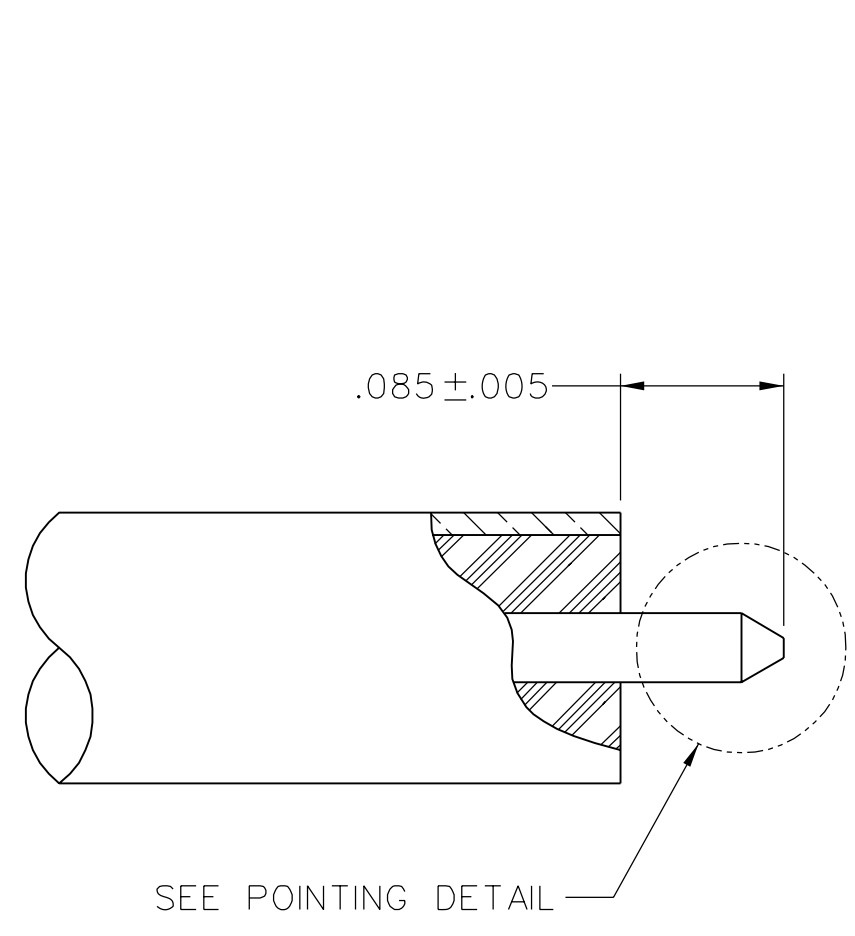
ENGINEERING RELEASE

|   |          |     |     |     |           |
|---|----------|-----|-----|-----|-----------|
| 1 | 12-20-05 | PAT | SBD | PDW | 5-12-06   |
|   |          |     |     |     | ECN 50106 |

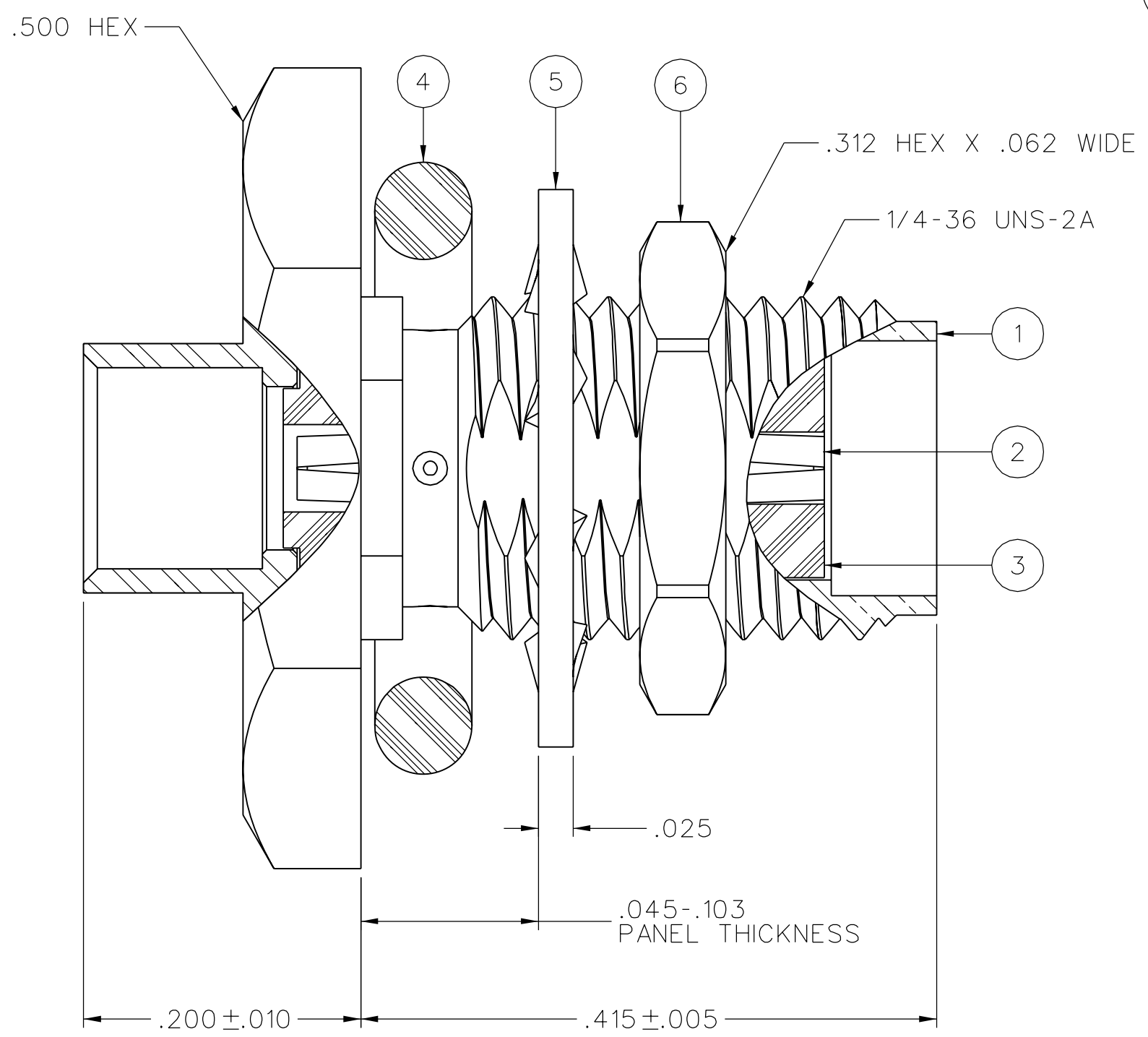


3:1

| PART NUMBER  | ITEM ①<br>BODY  | ITEM ②<br>CONTACT  | ITEM ③<br>INSULATOR | ITEM ④<br>SEAL RING | ITEM ⑤<br>LOCK WASHER   | ITEM ⑥<br>NUT   |
|--------------|---|--|---------------------|---------------------|---|---|
| 141-0594-421 | STAINLESS STEEL<br>GOLD PL .00001 MIN OVER<br>NICKEL PL .00005 MIN OVER | BERYLLIUM COPPER<br>GOLD PL .00005 MIN OVER<br>NICKEL PL .00005 MIN OVER<br>COPPER PL .00005 MIN | TEFLON              | SILICONE<br>RUBBER  | STAINLESS STEEL<br>GOLD PL .00001 MIN OVER<br>NICKEL PL .00005 MIN OVER | STAINLESS STEEL<br>GOLD PL .00001 MIN OVER<br>NICKEL PL .00005 MIN OVER |



CABLE STRIP DIMENSIONS



NOTES:

1. SPECIFICATIONS:

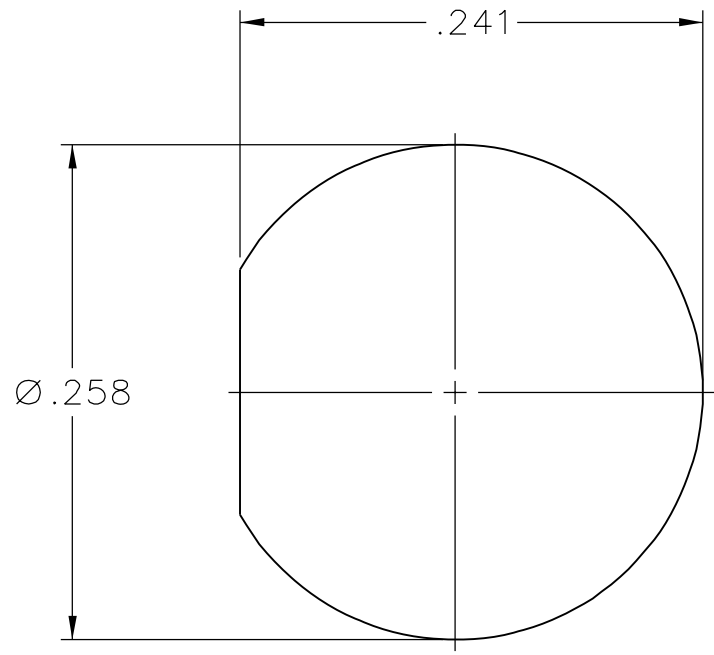
IMPEDANCE: 50 OHMS  
 FREQUENCY RANGE: 0-25 GHZ  
 VSWR: 1.05+.01F(GHz) MAX AT 0-18 GHZ, TYPICALLY < 1.25 AT 18-25 GHZ  
 WORKING VOLTAGE: 500 VRMS MAX AT SEA LEVEL  
 DIELECTRIC WITHSTANDING VOLTAGE: 1500 VRMS MIN AT SEA LEVEL  
 INSULATION RESISTANCE: 5000 MEGOHM MIN  
 CONTACT RESISTANCE:  
 CENTER CONTACT - INITIAL 5.0 MILLIOHM MAX, AFTER ENVIRONMENTAL 8.0 MILLIOHM MAX  
 OUTER CONDUCTOR - INITIAL 2.0 MILLIOHM MAX, AFTER ENVIRONMENTAL NOT APPLICABLE  
 BODY TO CABLE - 0.5 MILLIOHM MAX  
 CORONA LEVEL: 375 VOLTS MIN AT 70,000 FEET  
 INSERTION LOSS: .03√F (F IN GHZ), TESTED AT 10 GHZ  
 RF LEAKAGE: -90 DB MIN AT 2 TO 3 GHZ  
 RF HIGH POTENTIAL WITHSTANDING VOLTAGE: 1000 VRMS AT 4 AND 7 MHZ

MECHANICAL:

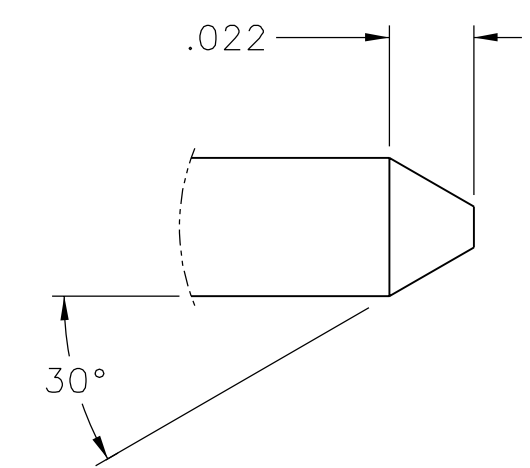
ENGAGE/DISENGAGE TORQUE: 2 IN-LBS MAX  
 MATING TORQUE: 7-10 IN-LBS  
 COUPLING PROOF TORQUE: NOT APPLICABLE  
 COUPLING NUT RETENTION: NOT APPLICABLE  
 CONTACT RETENTION: 6 LBS MIN AXIAL FORCE  
 CABLE ACCEPTABILITY: RG 402, .141 OD SEMIRIGID  
 CABLE HEX CRIMP SIZE: NOT APPLICABLE  
 CABLE RETENTION: 60 LBS MIN AXIAL FORCE  
 55 IN-OUNCE MIN TORQUE  
 DURABILITY: 500 CYCLES MIN

ENVIRONMENTAL:

(MEETS OR EXCEEDS THE APPLICABLE PARAGRAPH OF MIL-PRF-39012)  
 THERMAL SHOCK: MIL-STD-202, METHOD 107, CONDITION B, EXCEPT 115° C HIGH TEMP  
 OPERATING TEMPERATURE: -65° C TO 165° C  
 CORROSION: MIL-STD-202, METHOD 101, CONDITION B  
 SHOCK: MIL-STD-202, METHOD 213, CONDITION I  
 VIBRATION: MIL-STD-202, METHOD 204, CONDITION D  
 MOISTURE RESISTANCE: MIL-STD-202, METHOD 106



MOUNTING HOLE



POINTING DETAIL  
20:1

CUSTOMER DRAWING

THIS DRAWING TO BE INTERPRETED PER ASME Y 14.5M - 1994

"μ STATION"

COMPANY CONFIDENTIAL

|                                      |      |              |          |
|--------------------------------------|------|--------------|----------|
| TOLERANCE UNLESS OTHERWISE SPECIFIED |      | DRAWN BY     | DATE     |
| DECIMALS                             | mm   | PAT          | 12-16-05 |
| .XX                                  | ---  | CHECKED BY   | DATE     |
| .XXX REF                             | ---  | PDW          | 5-12-06  |
| MATL                                 | ---  | APPROVED BY  | DATE     |
| FINISH                               | ---  | SBD          | 5-12-06  |
|                                      |      | RELEASE DATE | 5-12-06  |
| U/M                                  | INCH | SCALE        | 10:1     |



TITLE  
SMA BKHD JACK ASSY  
ONE PIECE CONNECTOR,  
RG-402, .141 SEMI-RIGID

SHEET 2 OF 2  
DRAWING NO.  
C - 141-0594-421/430