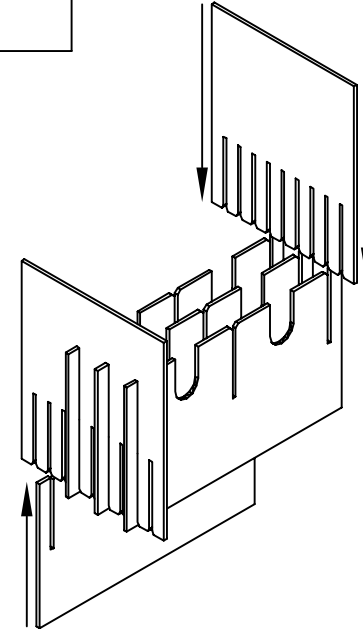
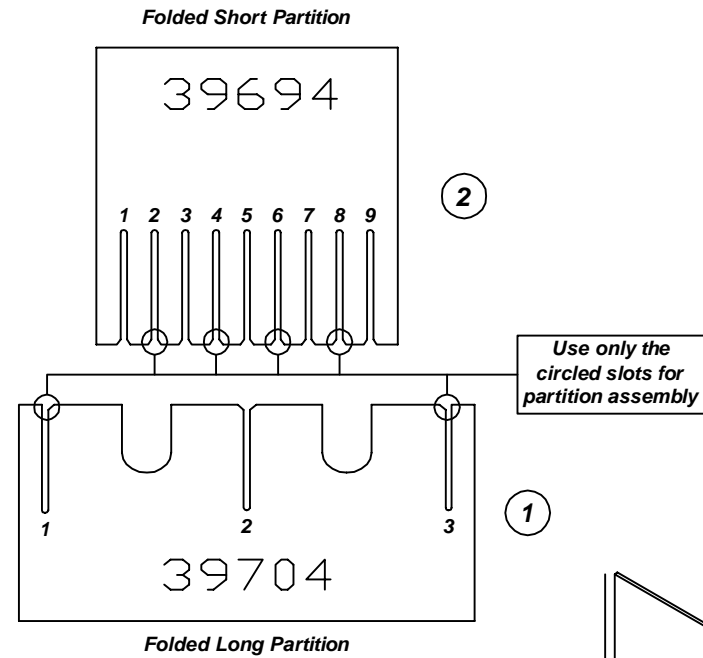
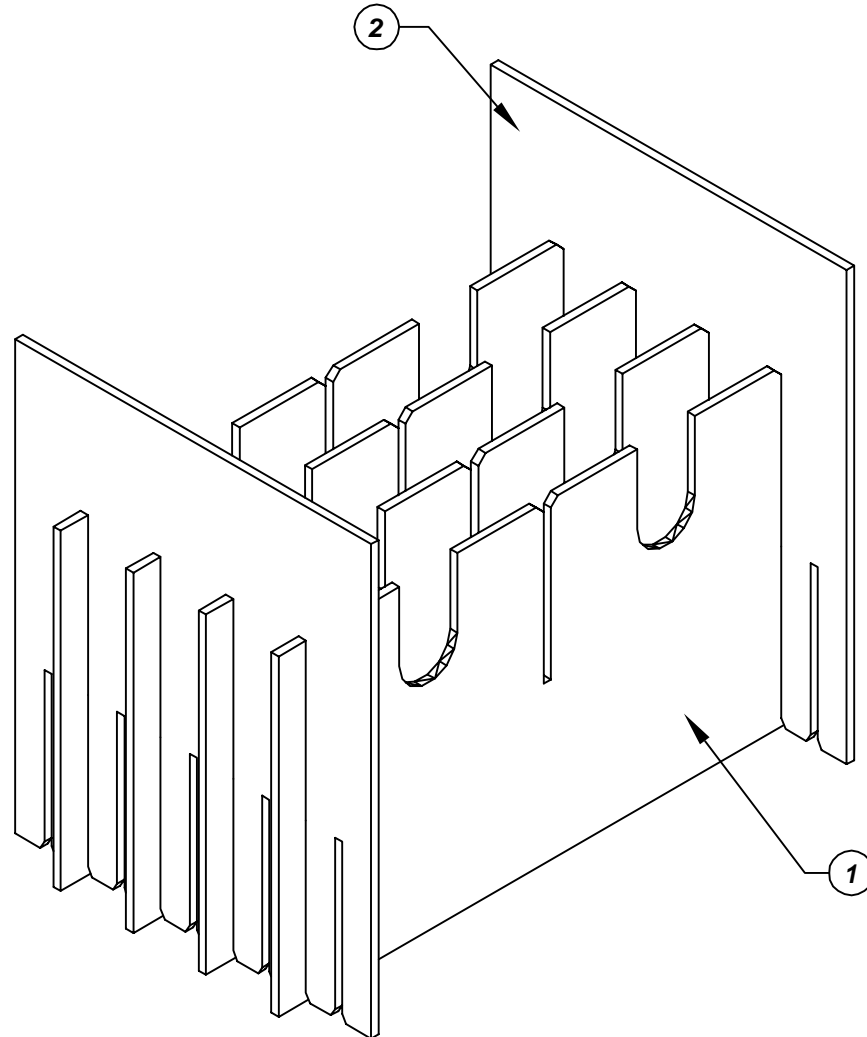


Assembly Instructions for - 37310



Made in America

| | | | | |
|----------|-----------------|----------------------------------|---|-----------|
| F/N ① | Part # 39704 | Dimensions: 21-3/4" x 18-1/2" | Description: 459/452/455-LP Long Partition | Qty: 4 |
| F/N ② | Part # 39694 | Dimensions: 29-3/4" x 12-1/4" | Description: 455-SP Short Partition | Qty: 2 |

37310 - 5 Cell Inplant Handler Cell Size - 14-3/4" x 16" x 2-1/4"

Notes:
For use with the following storage container & lid:
37519 - Storage Container
37553 - Lid

PROTEKTIVE PAK
13520 MONTE VISTA AVENUE, CHINO, CA 91710
PHONE (909) 627-2578, FAX (909) 363-7331
ProtektivePak.com



DRAWING NUMBER
IPH-37310

DATE
Dec.
2007